



STAINLESS STEEL CANOPY RANGEHOOD

INSTALLATION & OPERATION MANUAL



EUC60GS



EUC90GS



EUC91SS



EUC90SS

**PLEASE READ CAREFULLY AND UNDERSTAND THIS MANUAL BEFORE
INSTALLING AND OPERATING THE CANOPY RANGEHOOD**

**IMPORTANT: THIS APPLIANCE MUST BE INSTALLED AND SERVICED BY A LICENSED ELECTRICIAN
IMPORTANT: PLEASE READ FULLY PRIOR TO INSTALLATION OR OPERATION**

- This canopy rangehood is an indoor appliance and has been manufactured and tested to comply with Australian Standard/New Zealand AS/NZS3350 with Electrical Approval Number V06076.
- Always switch power off prior to installing, servicing or cleaning the appliance.
- Never use the appliance without filters.
- Please read the notes on maintenance / cleaning, especially the filters.
- Exhaust air must not be discharged into a heating flue or wall cavity, which may carry combustion products from other sources, unless the cavity is designed for that purpose.
- If the rangehood is to be installed in an area that also has gas, oil or coal fired heaters, the area must be well ventilated to prevent a partial vacuum in the room. This includes gas hobs. (A partial vacuum in the room could result in too high a concentration of gas in the atmosphere and excessive consumption of oxygen).
- The appliance is supplied with an approved power cable which must not be changed. If the supply cord of this equipment is damaged, it must only be replaced by the manufacturer, its service agent or similarly qualified person in order to avoid hazard.
- Care and attention should always be taken when cooking with oils, alcohol, etc; which give off flammable vapours. Pre-used oil is especially dangerous in this respect. Do not use any uncovered electrical grill with this rangehood.
- To avoid possible risks of fire always comply with the maintenance instruction below.

ATTENTION: THIS APPLIANCE MUST BE EARTHED

When making the electrical connection, check that the socket has an earth connection and that the voltage values correspond to those indicated on the rating plate inside the appliance. The power socket connection is to be easily accessible after installation.

WARNING: FOR YOUR SAFETY

- This appliance is not intended for use by young children or infirm persons without supervision.
- Children should be supervised to ensure that they do not play with the appliance.
- There shall be adequate ventilation of the room when the rangehood is used at the same time with appliances burning gas or other fuels.
- You must read the details concerning the method and frequency of cleaning.
- There is a fire risk if cleaning is not carried out in accordance with the instructions.
- Do not flambé (pour alcohol over food and set fire to it during cooking) under the rangehood.
- Exhaust air must not be discharged into an existing flue which is used for exhausting fumes from appliances burning gas or other fuels.
- The minimum distance between the hob surface and the lowest part of the rangehood must be 600mm.
- Attention should be given to ensure that any applicable regulations concerning the discharge of exhaust air is fulfilled.
- Before attempting cleaning or maintenance, ISOLATE / UNPLUG THE UNIT FROM THE POWER SUPPLY.
- Do not use a solid state speed control device with this rangehood.
- Do not remove cooking vessels from the hob unit without turning off the burner or heating element. The rangehood must not be exposed to direct heat from a flame or heating element.
- Beware of sharp edges when opening and installing.

INSTALLATION

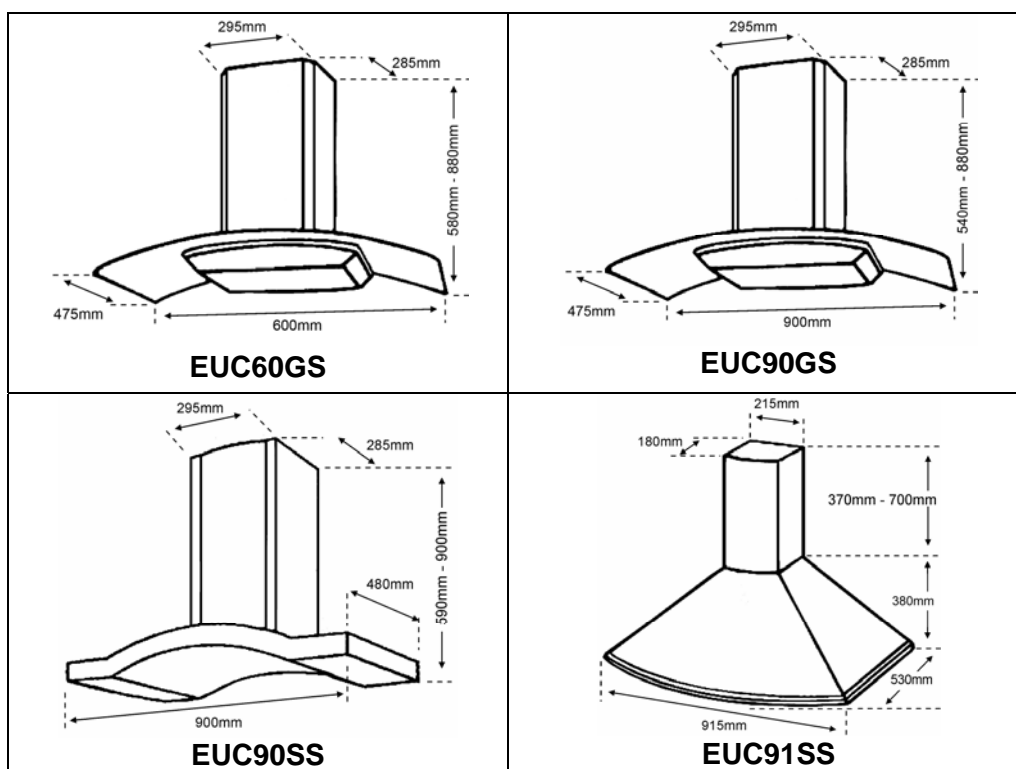
Notes

- Prior to installation. Please ensure that any existing or proposed roof ducting installation for connection to this appliance is suitable and complies with local municipal building codes and other statutory / building regulations. If you are unsure, please check with appropriate authorities or a qualified roof ducting installer.
- Attention should be given to ensure that any applicable regulations concerning the discharge of exhaust air is fulfilled.
- Ensure that the fully installed canopy has the clearance of at least 600mm between the lowest part of the hood and the cooking hob.
- Before drilling any holes check the wall and ceiling are clear of any electrical cables, pipes etc.
- The canopy rangehood is of wall-mount type. It must not be mounted / suspended from the ceiling.
- The unit is supplied with mounting brackets that must be fixed onto the wall first. If the wall where the rangehood is to be mounted on is a cavity wall then a solid noggin or stud (horizontal or vertical timber/metal house framing behind the wall) is required for the mounting bracket to screw into. Due to the heavy weight of the rangehood, it must not be mounted onto the plasterboard wall without solid support from behind the wall surface.
- For dimensions, see "Product Dimensions" diagrams below.

This rangehood is designed for operation in either one of the following ways:

- **Ducted System** – The cooking exhaust fumes are extracted and released external to the building. Requires professional installation of flue piping to external of the house through ceiling or wall cavity space prior to installation of rangehood. A flexible flue duct (150mm dia.) is supplied with the rangehood
- **Recirculating System** – The cooking exhaust fumes are extracted and recirculated internally within the kitchen. Requires two additional (charcoal / carbon type) filters to be installed within the rangehood, which is sold as a separate accessory.

Product Dimensions



Installation Procedure – Ducted System

1. Engage an authorised person to install the ducting to the required position.
2. Measure and mark the position on the wall for the flue (top-most section, see figure 3c below, marked 'C') mounting bracket to be fixed. This mounting bracket is to be located at the top rear of the flue cover.
3. Measure and mark the position on the wall for the rangehood main unit (see figure 1a, & 1b) mounting bracket to be fixed. A suitable method is to measure the distance from the base of the rangehood to the hanging slots as shown in Figure (2a) below.

4. Fix the flue (top section) bracket (see figure 1c below) into the correct position on the wall using the supplied self-tapping (nylon type) fixing screw sets.
5. Fix the unit body mounting bracket onto the wall to the exact position using the three supplied 'wall mate' type self-drilling (metal type) screws sets (consisting of 1 x screw-in socket and 1 x 30mm flathead screw per set). For instructions on how to install the 'wall mate' screw sets, contact the manufacturer. The supplied 'wall mate' self-drilling screw sets are suitable for plasterboard walls with supporting timber stud or noggin. Where specialised fixing bolts / screws are required for tiled, concrete or masonry walls, these must be obtained separately.
6. Prior to mounting the canopy rangehood onto the wall, first slot both sections of the flue cover onto the unit body with the flue cover top section fully retracted inside the bottom section flue cover. Do not extend or pull the top section out. The top section must be fully (Important: Leave the protective film on both flue covers to prevent from scratching during installation).
7. Fix the bottom section flue cover onto the rear of the unit body using the four supplied screws.
8. Mount the unit onto the mounting bracket by hooking the hanging slots at the rear of the unit onto the hooks of the mounting bracket. (See Figure 2a & 2b)

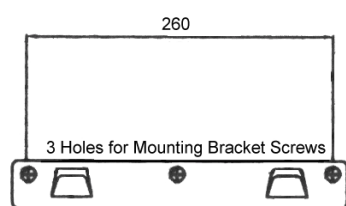


Figure 1a

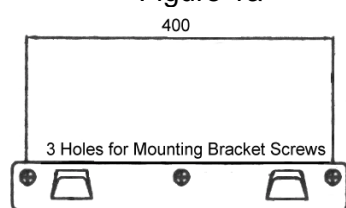


Figure 1b

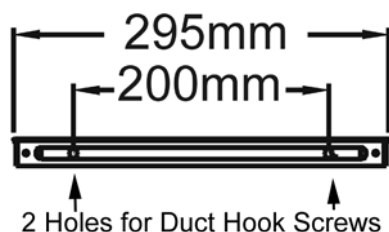


Figure 1c

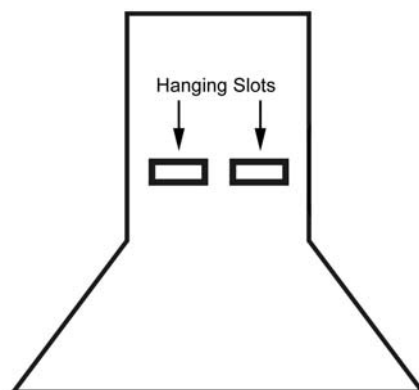


Figure 2a

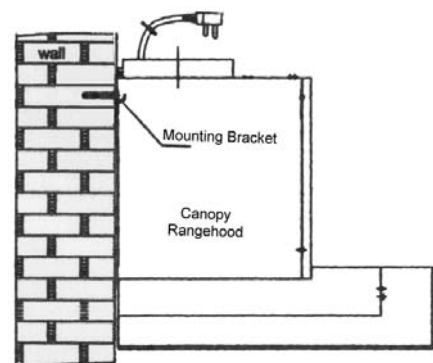


Figure 2b

9. The installer must ensure that the rangehood is securely fixed onto the wall. Any additional fixings in addition to the above may also be added to further secure the rangehood against the wall. This is dependent on wall type, rangehood type, fixing type and any other circumstance which may affect its stability. Usually this can be achieved by screwing the back plate against the wall using suitable fixings (not supplied). Optional rubber stops are also supplied for fixing to the bottom corners at the rear side of the rangehood. This may be fixed (using the supplied screws) to enable the back of the rangehood to be level with the wall should additional fixings be employed.
10. Euromaid accepts no responsibility for any damage caused by the installer's negligence to properly mount and secure the rangehood.
11. Connect the flue duct pipe to the unit.
12. To assemble the flue cover (2 x standard length sections):
 - 12.1. **For model EUC90SS, EUC90GS & EUC60GS (See Figure 3a & 3c)**
Slide the top section flue cover from inside the bottom section cover to extend upwards to the required location. Fix the top section flue cover onto the mounting bracket using the two supplied screws (figure 3c, screws 'D') at the top of the top flue cover.
 - 12.2. **For model EUC91SS (See Figure 3b)**
Connect cover B onto the top of hood body A. and fix cover B with screws C

13. To assemble the glass canopy:

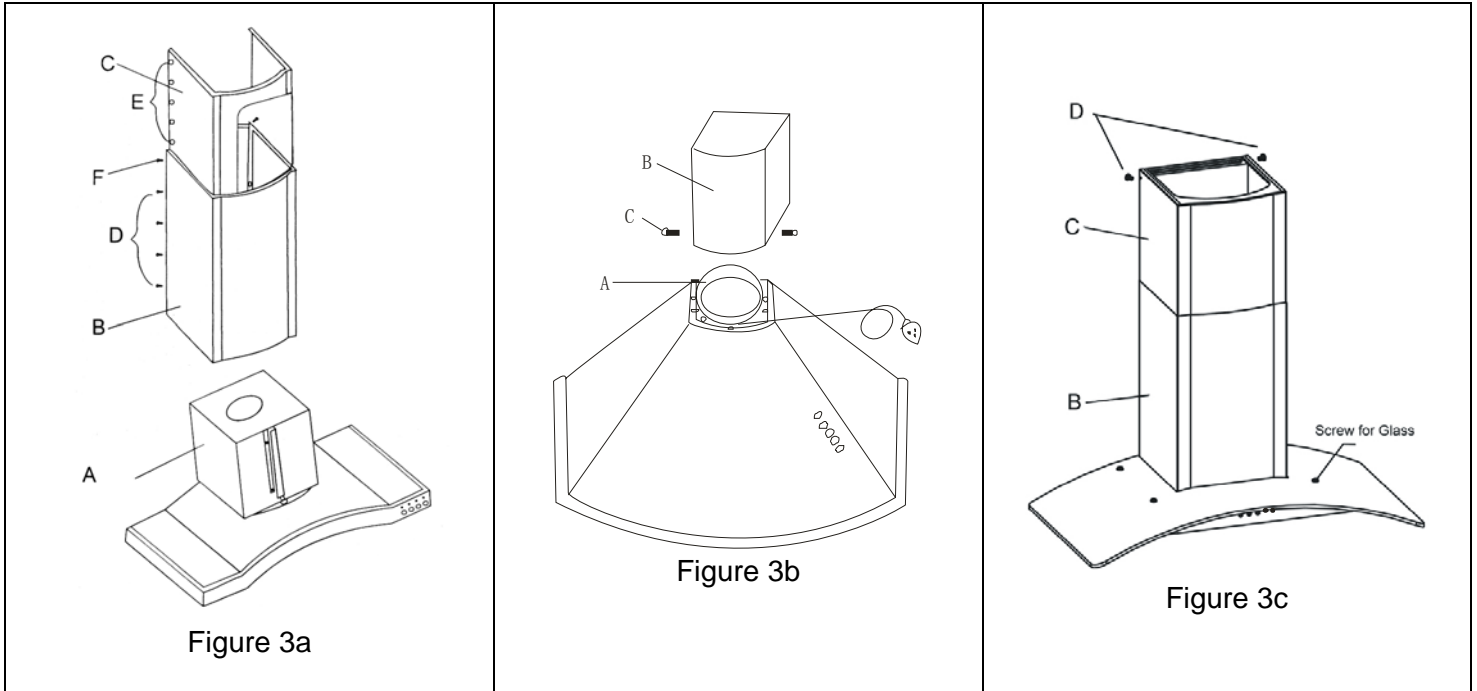
13.1. For model EUC90GS & EUC60GS only (See Figure 3c)

Slide the glass over the body at the base of the flue section and match the screw holes on the glass to the screw holes on the rangehood. Insert rubber plugs into the holes and insert screws. Screw securely into place. Do not screw too tightly as this may damage the glass.

14. Remove protective plastic film.

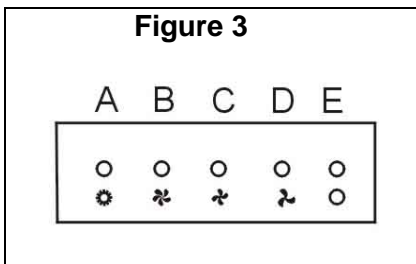
15. If you require a flue cover length that is greater in length than that supplied, extended flue kits are available as an accessory. Please contact your place of purchase.

16. Plug the power cord into the power point.



OPERATION

The push-button control panel (see Figure 3 below) is located on the front of the rangehood and includes:



1. Light switch (A)
2. Fan switch (B- high speed, C-mid speed, D-low speed)
3. Motor-off (E)

LIGHT CONTROL

Switch on/off the lights by pressing Switch (A) on the switch panel.

FAN CONTROL

Select required fan speed: HIGH, MID or LOW SPEED by pressing (B), (C) or (D) respectively on the switch panel.

Installation Procedure – Recirculating System

In order for the rangehood to be used in the filtration mode whereby the air is recirculated by active carbon filters, two active carbon filters (which are supplied as separate accessories) must be installed on both sides of the exhaust fan. Under regular use of the rangehood, the carbon filters must be replaced at least once every three (3) months to maintain its filtration efficiency.

To install the carbon filter:

Place the carbon filter onto the side end of the fan. To place into proper position, match the slot (which is located around the side of the carbon filter) to the pin on the side of the fan. Turn the filter in an anticlockwise direction (from “B” to “A” on the left hand side, and from “A” to “B” on the right hand side) until a ‘click’ is heard, to lock into position. Repeat this step to install the remaining carbon filter on the other side of the fan.

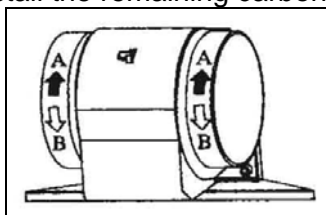


Figure 4

Repeat steps (2) to (10) and steps (12) to (15) as described in the above “Installation Procedure – Ducted System” to install the rangehood.

MAINTENANCE / CLEANING

- Prior to undertaking any cleaning or maintenance on the rangehood, ensure that the power source is disconnected.
- Particular care must be taken with any sharp edges on the rangehood.
- When cleaning stainless surfaces, use a damp cloth and mild detergent. Never use products containing abrasives (e.g. scouring pads, steel wool, abrasive liquid cleaner etc.)
- In high humidity and coastal environments, cleaning should be carried out frequently.
- Ensure the canopy rangehood is switched off before cleaning.
- Wipe the rangehood body and flue with mild detergent or soapy water using a sponge or soft cloth. Do not use oven cleaners, caustic solutions or abrasive materials.
- Ensure the fan and light switches are switched off before removing and replacing filters. To maintain efficiency and reduce fire risk, the filters should be cleaned monthly. To clean the filters, soak and agitate the filters in hot soapy water or washing soda. Rinse, dry well and replace. Do not use oven cleaners, caustic solutions or corrosive agents.
- Ensure the fan and light switches are set to ‘Off’ before removing and replacing the light globe. Replace the globe with a 10 Watt Halogen light globe.

SPECIFICATIONS

MODEL	EUC60GS	EUC90GS	EUC90SS	EUC91SS
Finish	S/S & Tempered Glass	S/S & Tempered Glass	Stainless Steel	Stainless Steel
Width	600mm	900mm	900mm	915mm
Motor	170W	170W	170W	170W
Halogen Lamps	2 x 10W	2 x 10W	4 x 10W	2 x 10W
Air Outlet	Ø150mm	Ø150mm	Ø150mm	Ø150mm
Air Capacity	660m ³ /hr	660m ³ /hr	660m ³ /hr	660m ³ /hr
Exhaust Pipe	2.0m	2.0m	2.0m	2.0m
Net Weight	17.0kg	21.0kg	23.5kg	14.0kg

EUROMAID will not be liable in respect of any misuse of this appliance not in accordance with the instructions and precautions specified in this booklet.

FOR SERVICE AND ENQUIRY, PLEASE CONTACT:

EUROMAID

Electrical Distributors of Australia Pty Ltd
8 / 92A Mona Vale Road, WARRIEWOOD NSW 2102
Tel: (02) 9999 2124 Fax: (02) 9999 1684



Electrical Distributors of Australia Pty Ltd
8 / 92A Mona Vale Road
WARRIEWOOD NSW 2102
AUSTRALIA
Tel: (02) 9999 2124 Fax: (02): 9999 1684

WARRANTY CERTIFICATE – Customer Copy

MODEL No.: _____ SERIAL No.: _____

Euromaid warrants that the above appliance is free from manufacturing defects in material and workmanship and will repair or replace at our option at our designated service points without charge within 24 MONTHS from the date of purchase any part or parts which in our judgement shall be a manufacturing defect. This certificate and the relevant invoice must be presented for any warranty claim.

This warranty does not apply for the following:

- (a) If the appliances has been misused or tampered with by unauthorised personnel.
- (b) If the defects is caused by misuse, wear and tear and accidental damage.
- (c) Replacements of light globes, lamp covers, oil collectors, filters and other accessories.

Note: a charge shall be made if the service person finds the product is functioning correctly.

PLACE OF PURCHASE: _____

DATE OF PURCHASE: _____

Please Keep Above Section With Your Invoice For Warranty Service.

⌘-----⌘-----⌘-----⌘-----⌘-----⌘
(Cut along the above dotted line & return the section below to Euromaid.)



WARRANTY REGISTRATION FORM – to be returned to Euromaid

To validate the warranty, this form must be completed and returned to us within 30 days from the date of purchase. We may contact you, your supplier and the installer to collect information and the opinions for products and services improvement.

NAME: _____ PHONE: () _____

ADDRESS: _____

PLACE OF PURCHASE: _____

DATE OF PURCHASE: _____ INVOICE No.: _____

INSTALLER: _____ PHONE: () _____

MODEL No.: _____ SERIAL No.: _____

Returning address: Electrical Distributors of Australia Pty Ltd
8 / 92A Mona Vale Road
WARRIEWOOD NSW 2102
AUSTRALIA

Or Fax to: (02) 9999 1684